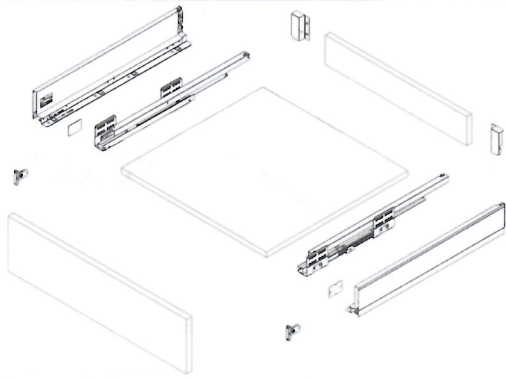
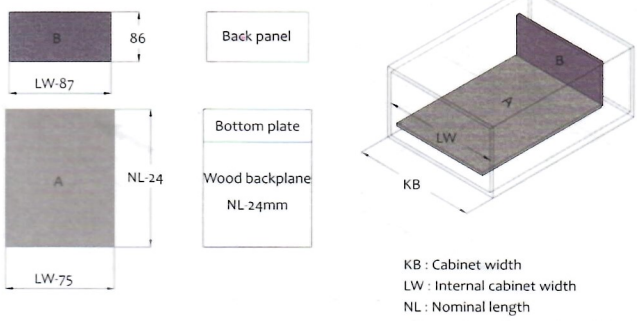
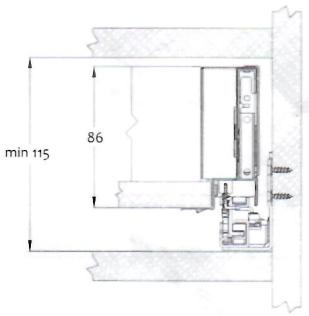
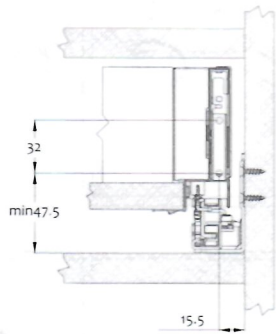
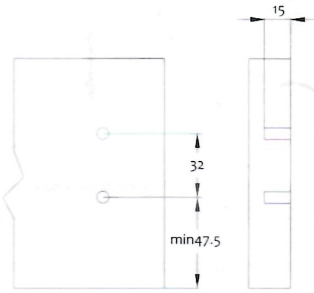
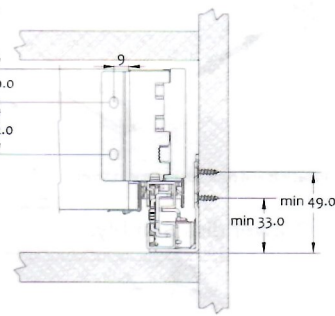
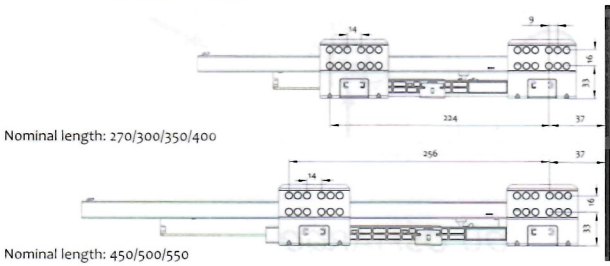
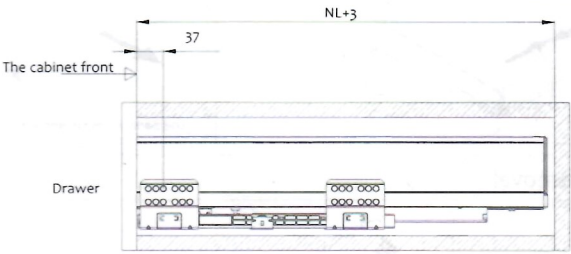
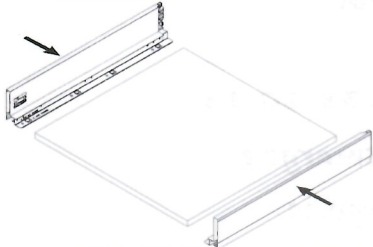
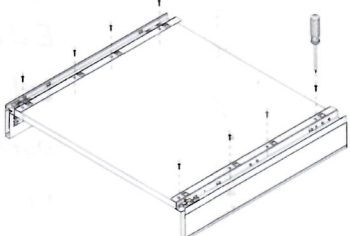
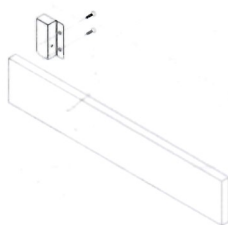
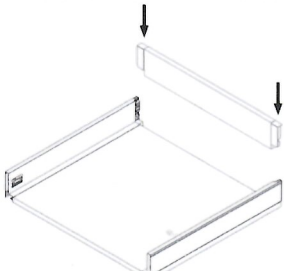
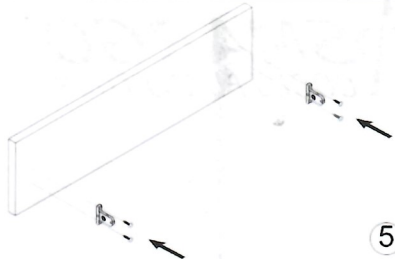
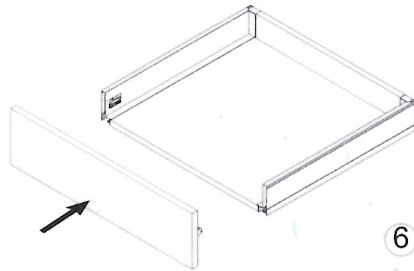
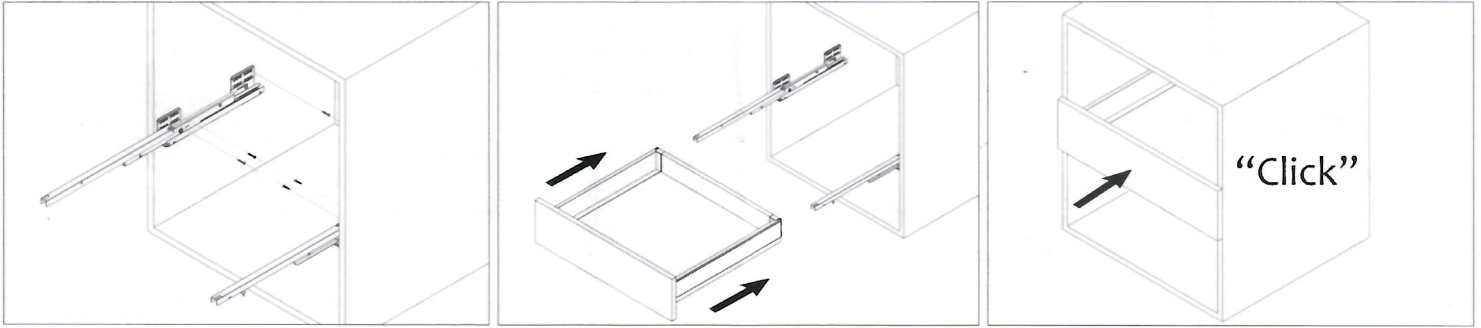


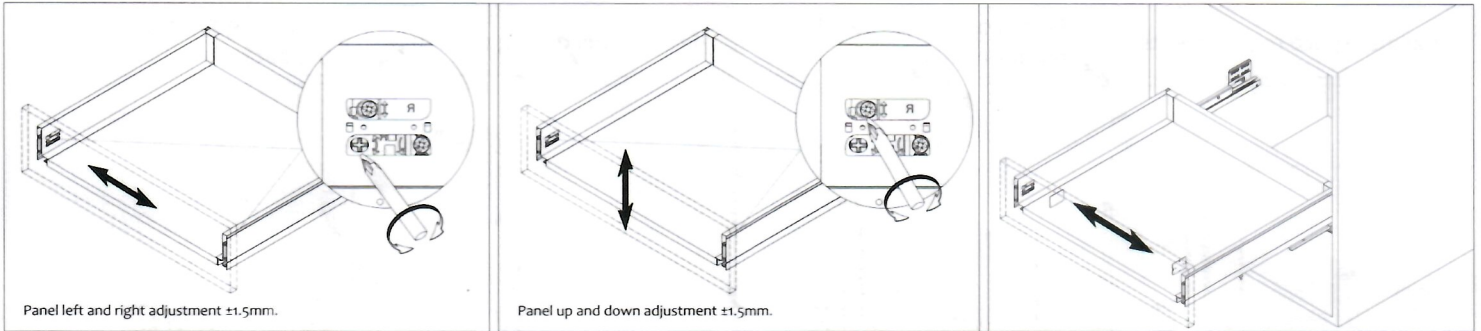
Slim double wall drawer slide, height 86 mm

<p>Basic components</p> 	<p>Cutting dimensions of 16mm thick MDF</p>  <p>KB : Cabinet width LW : Internal cabinet width NL : Nominal length</p>		
<p>Cabinet space requirements</p> 	<p>Front connectors panel mounting dimensions</p> 	<p>Front panel drilling pattern</p> 	<p>Mounting dimensions for the back plate</p> 
<p>Slide mounting hole distance</p>  <p>Nominal length: 270/300/350/400</p> <p>Nominal length: 450/500/550</p>	<p>The cabinet body rail mounting dimensions</p>  <p>The cabinet front</p> <p>Drawer</p> <p>NL Nominal length</p>		
<p>Drawer installation</p>			
 <p>1</p>	 <p>2</p>	 <p>3</p>	
 <p>4</p>	 <p>5</p>	 <p>6</p>	

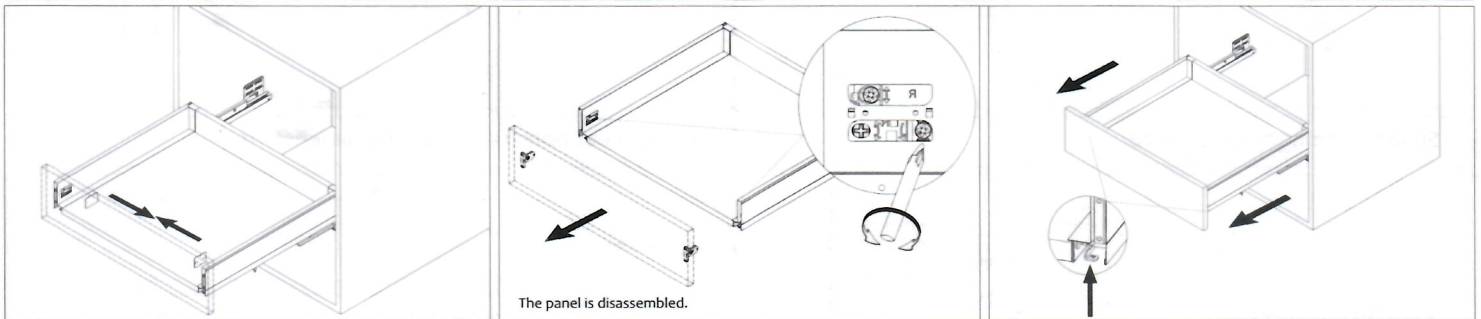
Drawer installation to the cabinet.



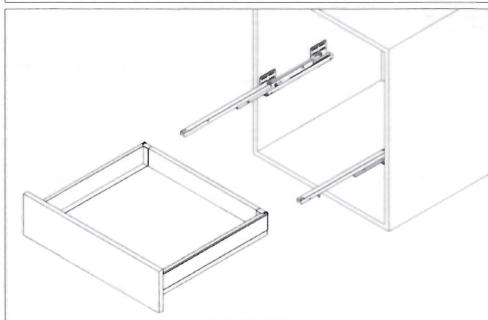
Front panel adjustment.



Drawer disassembly.



Drawer removal



OÜ OSMARGO
Suur-Paala 13
13619 Tallinn
Estonia
tel.: +372 638 10 18
osmargo@osmargo.ee
www.osmargo.ee

