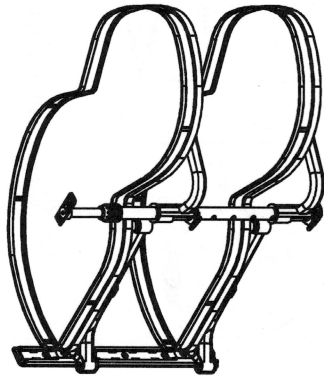


CM90L45L/R Instruction Menu



Note:

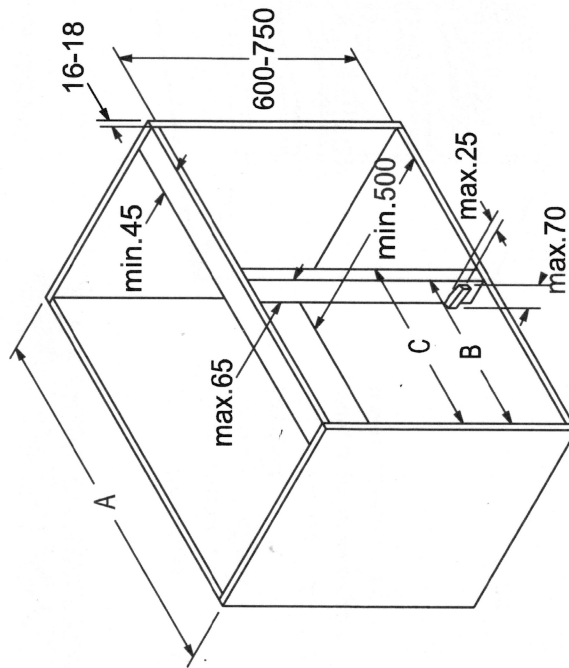
1. Please read this instruction carefully before install.
2. For cabinet width 900mm, inner height more than 600mm.
3. This instruction is for left side, right side is symmetrical.



Accessories

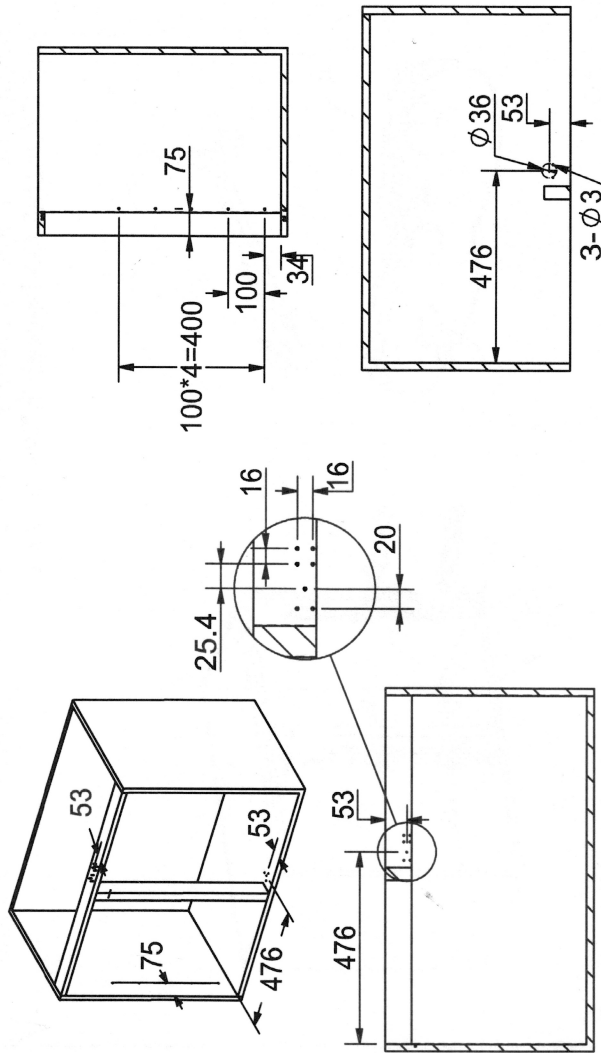
A 1 Pcs	B 1 Pcs	C 1 Pcs	D 2 Pcs	E 5 Pcs	F 10 Pcs
G 2 Pcs	H 2 Pcs	I 2 Pcs	J 1 Pcs	K 2 Pcs	

2. Specification and suitable cabinet size:
(Door opening angle $\geq 90^\circ$)

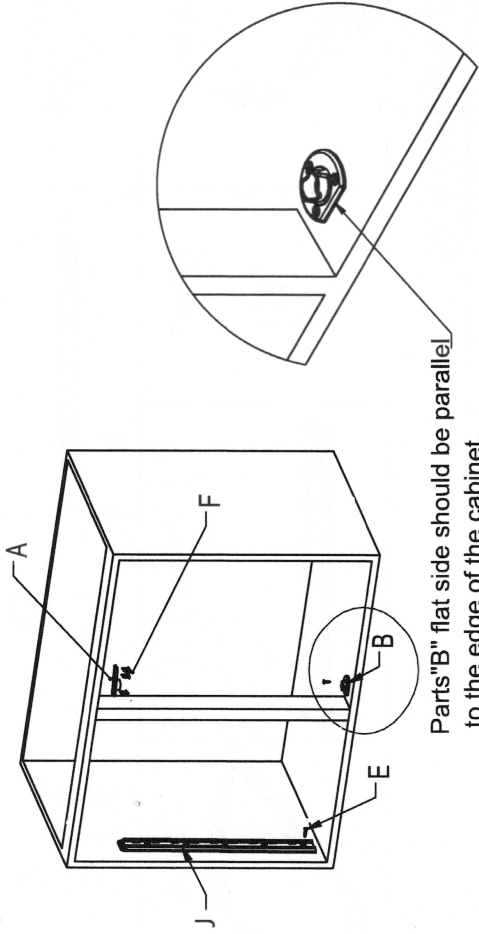


3. Punch holes as the drawing.

Size	A	B	C
Door W	450	900	411-418
			Max450

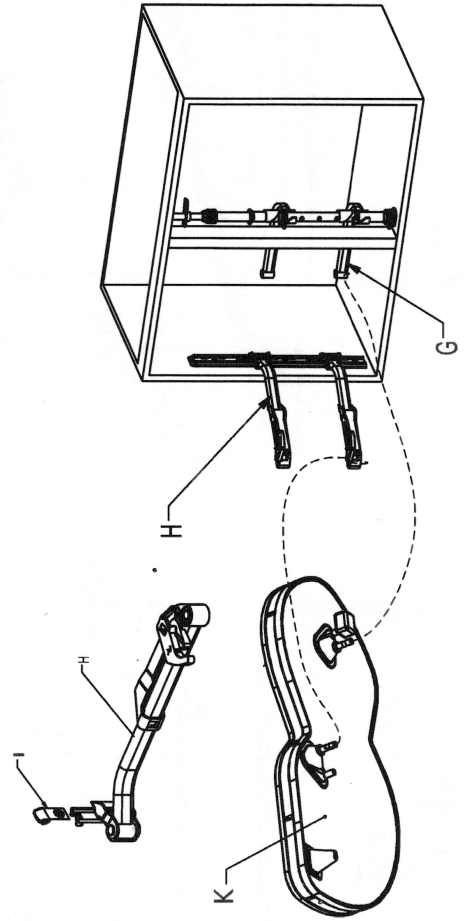


4. Fixing parts "I" with screw "E", fixing parts "A" to top and "B" to bottom with screw "F".

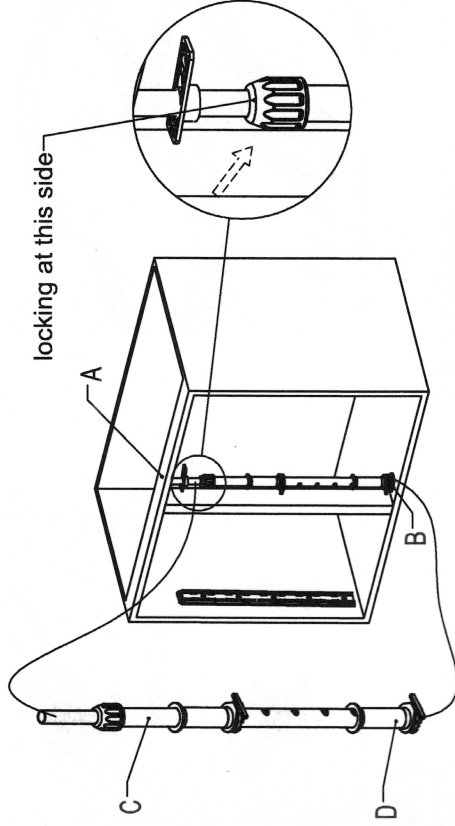


Parts "B" flat side should be parallel to the edge of the cabinet.

6. Put parts "I" into "H", then mounted into parts "J", part "G" mount into part "D". Install the basket "K" as drawing.

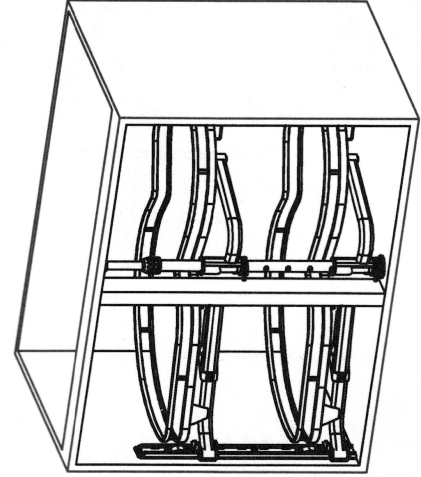


5. Fixing Parts "D" into Parts "C" then insert it into parts "B". Adjusting Part "C" to suitable height and lock it.



locking at this side

7. Installation completed.



OSMARGO
ÕÖBLIFURNITTUUR

Oü OSMARGO
 Suur-Paala 13
 13619 Tallinn
 Estonia
 Tel: +372 638 10 18
 osmargo@osmargo.ee
 www.osmargo.ee